

# Uni-Dose® Series UD Chemical Metering Pump

DATA SHEET

**NEW**

## Universal Solution

Introducing the universal Uni-Dose® Series UD chemical metering pump, engineered to address common well water treatment requirements. This single model does it all at an affordable price. Its simplified design makes it easier than ever to install, maintain, and operate. Water treatment accuracy has never been easier!

## Versatile & Flexible

A single speed control knob provides easy, accurate adjustment over the entire operating range. Precise capacity control from 1 to 24 gallons per day (4 to 90 LPD) at 80 psi (5.5 bar), with speeds up to 160 SPM. A full range of performance, delivered by a single pump model.

## Quiet & Convenient

The advanced noise reduction design makes the UD pump ideal for residential water conditioning applications. The new integrated FastPrime™ priming valve allows for fast and easy start-up.

## Durable & Reliable

Totally enclosed NEMA 4X/ IP65 housing provides superior protection in either indoor or outdoor installations with UV and heat resistance to 122°F (50°C). A universal 115-230V, 50/60Hz power supply with internal varistor and fuse protect the unit from power surge damage. Uni-Dose® is built to last.



## Performance Specifications

### Technical Data

Output Range	1-24 GPD (0.16-3.8 LPH)
Pressure Range	80 PSI (5.5 Bar)
Flow Rate Control	Variable speed, Fixed stroke
Min Stroke	1 SPM
Max Stroke	160 SPM
Electric Supply	115-230V, 50/60 Hz
Max Current @ 120 VAC	0.3 amps
Installation	Indoor/Outdoor
NEMA/IP Rating	NEMA 4X/IP65
Certifications	NSF 61, UL
Suction/Discharge	Single cartridge check valve

### Output Information

Model	Gallons per Day		Gallons per Hour		Liters per Day		Liters per Hour		mL/cc per Min	
	Min	Max	Min	Max	Min	Max	Min	Max	Min	Max
UD	1.0	24.0	0.04	1.0	3.79	90.85	0.16	3.80	2.70	63.0

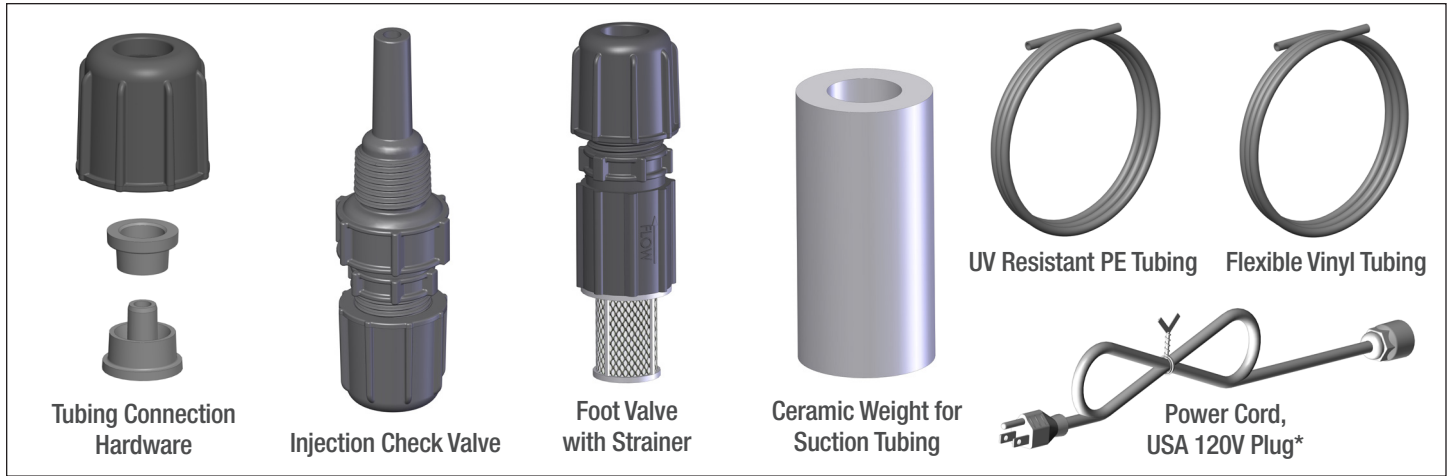
### Configuration Data Model UD001-238NU

<b>UD00</b>	Uni-Dose Series
<b>1*</b>	115-230V 50/60HZ, USA 120V Plug
<b>238</b>	PVC Head & fittings with PTFE LIQUIFRAM™
<b>NU</b>	UV resistant inch tubing

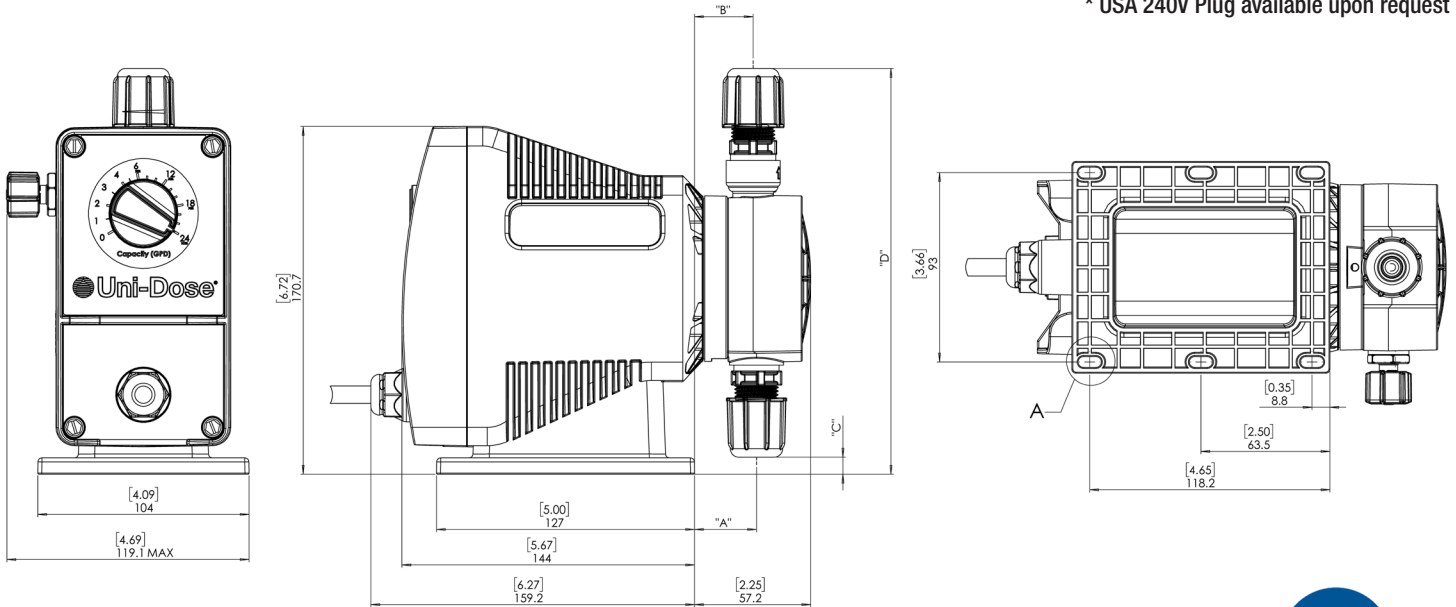
\* 220-240V USA Plug available upon request



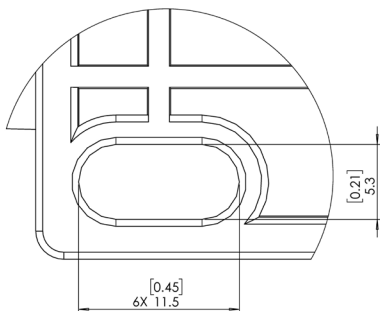
## Included Accessories



\* USA 240V Plug available upon request



DETAIL A



### Dimensions

Liquid End Model	"A"		"B"		"C"		"D"	
	INCH	MM	INCH	MM	INCH	MM	INCH	MM
LE-238NU	1.2	30.5	1.13	28.8	0.33	8.3	7.83	199



Certified to NSF/ANSI 61 & 372



Ingersoll Rand (NYSE:IR) advances the quality of life by creating comfortable, sustainable and efficient environments. Our people and our family of brands— including Club Car®, Ingersoll Rand®, Thermo King® and Trane®—work together to enhance the quality and comfort of air in homes and buildings; transport and protect food and perishables; and increase industrial productivity and efficiency. We are committed to a world of sustainable progress and enduring results.

FastPrime is a trademark of Milton Roy, LLC  
 Liquifram is a trademark of Milton Roy, LLC  
 Uni-Dose is a registered trademark of Milton Roy, LLC

Contact your local representative to find out more about Uni-Dose® Chemical Metering Pumps  
[unidosepumps.com](http://unidosepumps.com)

